

VANGUARD

VP61N



Distributed Exclusively by:

**PipeLine
Machinery**



Your Global Partner for Pipeline Solutions

Weights

Operating Weight	16,851 kg	37,159 lb
Shipping Weight	15,921 kg	35,100 lb

Operating Weight: Includes lubricants, coolant, 100% fuel, hydraulic controls and fluids, backup alarm, seat belt, 560 mm (22 in) single grouser shoes, drawbar, counterweight, boom and pulley blocks and operator.

Shipping Weight: Includes lubricants, coolant, 10% fuel, hydraulic controls and fluids, backup alarm, seat belt, 560 mm (22 in) single grouser shoes, drawbar and counterweight.

Service Capacities

Fuel Tank	235 L	62.2 gal
Crankcase (with filter)	26 L	6.9 gal
Final drives (each)	6 L	1.6 gal
Boom Winch	5.7 L	1.5 gal
Cooling system	48 L	12.6 gal
Hydraulic Tank	37.5 L	9.9 gal

Engine

Engine Model	Cat 3126B	
Rated Flywheel Power	86 kW	115 hp
Maximum Flywheel Power	88 kW	119 hp
Bore	110 mm	4.33 in
Stroke	127 mm	5 in
Displacement	7.2 L	439 in ³

Engine Ratings at 2100 rpm.

Net power advertised is the power available at the flywheel when the engine is equipped with fan, air cleaner, muffler and alternator.

No derating required up to 4600 m (15,100 ft) altitude, beyond 4600 m (15,100 ft) automatic derating occurs.

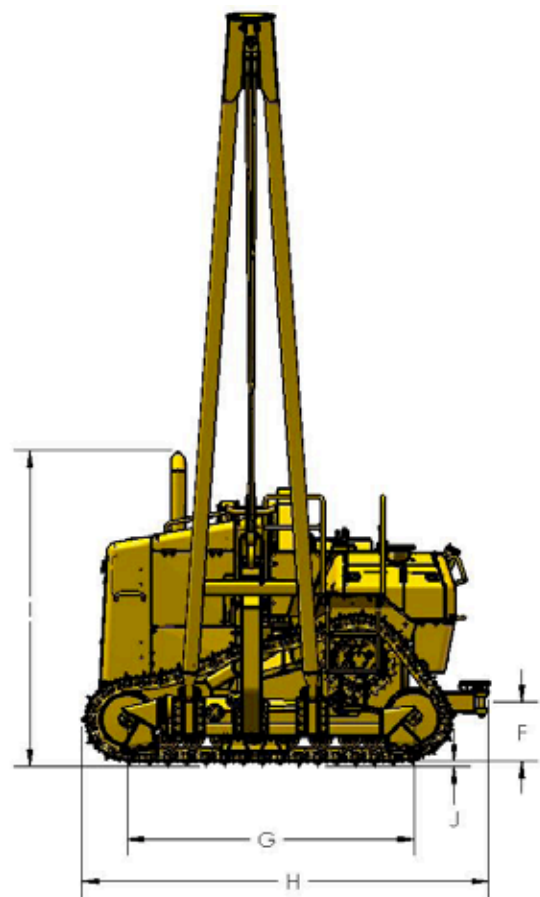
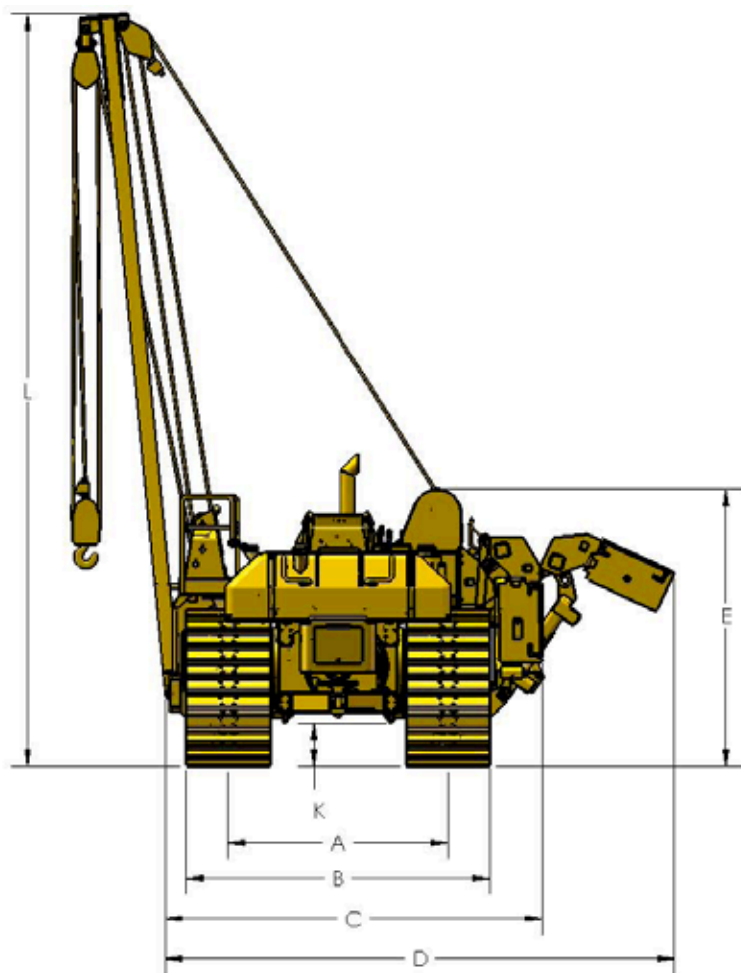
Pipelaying Equipment

Lifting Capacity	18,145 kg	40,000 lb
Hook Winch Drum Diameter	216 mm	8.5 in
Boom Winch Drum Diameter	245 mm	9.63 in
Hook Winch Flange Diameter	398 mm	15.5 in
Boom Winch Flange Diameter	372 mm	14.63 in
Hook Winch Drum length	254 mm	10 in
Boom Winch Drum Length	254 mm	10 in
Hook Winch Capacity - 16 mm (5/8 in) diameter	72.85 m	239 ft
Hook w/ Wire Rope Installed - 16 mm (5/8 in) diameter	39.63 m	130 ft
Boom w/ Wire Rope Installed - 16 mm (5/8 in) diameter	25.91 m	85 ft
Boom Line speed	46 m/min	151 ft/min
Bare Drum Hook Speed (Lo)	33 m/min	108 ft/min
Bare Drum Hook Speed (Hi)	69.5 m/min	228 ft/min
2 Part Line Hook Speed (Lo)	16.5 m/min	54 ft/min
2 Part Line Hook Speed (Hi)	34.8 m/min	114 ft/min
3 Part Line Hook Speed (Lo)	11 m/min	36 ft/min
3 Part Line Hook Speed (Hi)	23.2 m/min	76 ft/min
Boom Length	5.49 m	18 ft
Removable Counterweight - Number of Segments	16	
Removable Counterweight - 7 each at	114 kg	251 lb
Removable Counterweight - 9 each at	191 kg	421 lb
Total weight extendable	2,980 kg	6,570 lb

Hydraulic Power (55.7 gpm@2700 psi and 2200 rpm pump speed independent of torque converter) (211 L/min @ 18,616 kPa/186 bar)

Transmission

1 Forward	3.1 kph	1.9 mph
2 Forward	5.4 kph	3.3 mph
3 Forward	9.1 kph	5.6 mph
1 Reverse	3.8 kph	2.3 mph
2 Reverse	6.7 kph	4.1 mph
3 Reverse	11.3 kph	6.9 mph



A	Track Gauge	2000 mm	79 in	G	Length of Track on Ground	2604 mm	103 in
B	Width of Tractor -30 in Shoes	2760 mm	108.7 in	H	Operating Length - With Drawbar	3720 mm	146 in
C	Width of Tractor -Boom Removed	3428 mm	135 in	I	Height to Top of Stack	2849 mm	112 in
D	Width of Tractor - Counterweight Extended	4631 mm	182 in	J	Grouser Height	47 mm	1.85 in
E	Machine Height -Tip of Grouser to Top of ROPS	3036 mm	119.5 in	K	Ground Clearance (SAE J1234)	432 mm	17 in
F	Drawbar Height - to Center of Clevis from ground face of shoe	537 mm	21 in	L	Boom Height - Tip of Grouser at SAE 4 ft (1.22 m) Overhang	6843 mm	269.39 in

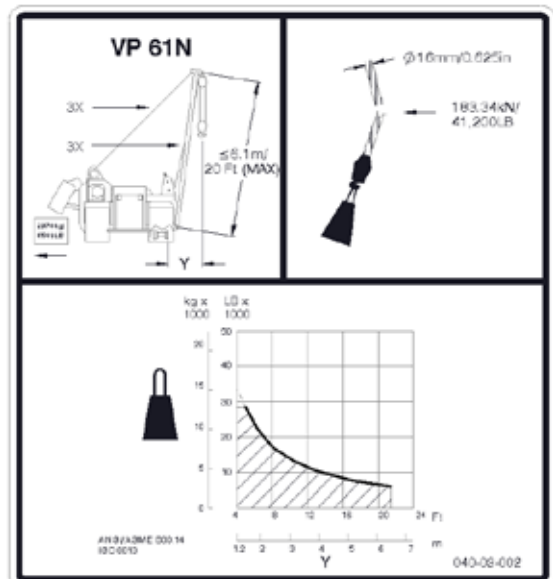
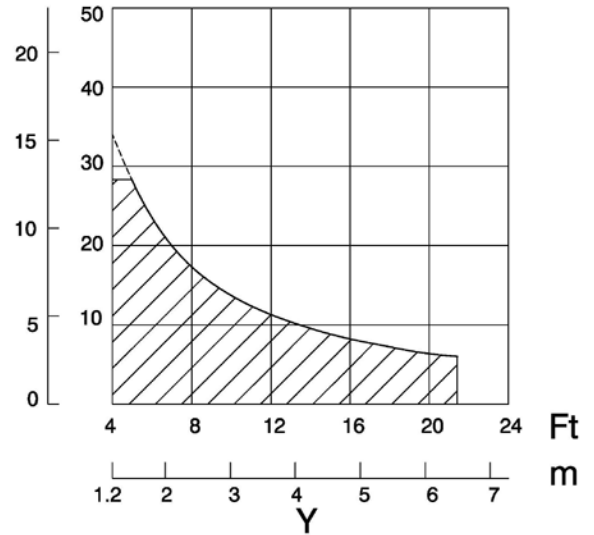
Pipelayer Controls

Can be operated with one hand for enhanced Operator Comfort and precise control

Pipelayer controls are low effort and allow simultaneous, precise positioning of the load line and boom with one hand



kg x 1000 LB x 1000



Made under license from Caterpillar, Inc. Cat and Caterpillar are registered trademarks of Caterpillar, Inc. All marks are used with permission of Caterpillar.

Materials and specifications are subject to change without notice.

PipeLine Machinery



**Distributed Exclusively by:
PipeLine Machinery International**

USA: +1-713-939-0007 Netherlands: +31-70-353 8279
Canada: +1-780-377-0336 Australia: +61 423 394 730
China: +86-10-8468-3915
Singapore: +65-9641-0700 **WWW.PLMCAT.COM**

**Manufactured by:
Vanguard Equipment Inc.**

10838 East Newton Place
Tulsa, OK 74116 USA
Phone: 918.437.1796
Fax: 918.437.1796

Your Global Partner for Pipeline Solutions